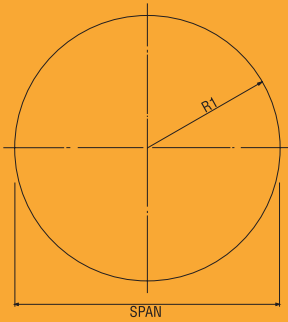
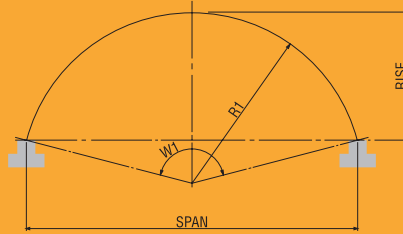


MP200 | Standard Profile Diagrams

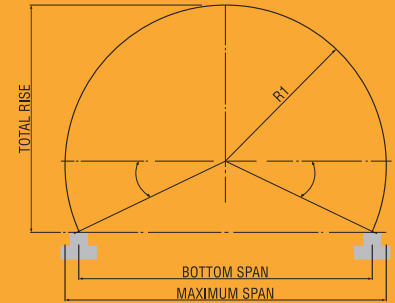
Round Pipe KA



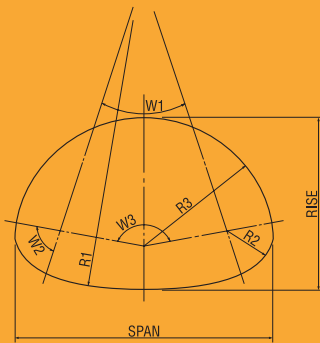
Arch Section KB



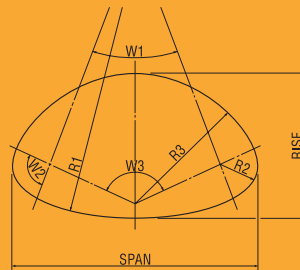
Horse Shoe Arch HSA



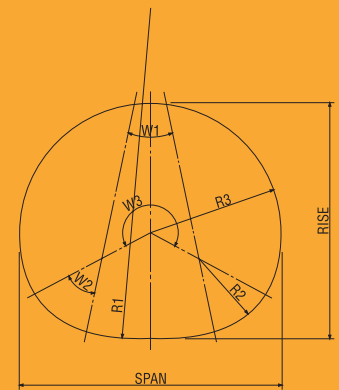
High Profile Pipe Arch MA



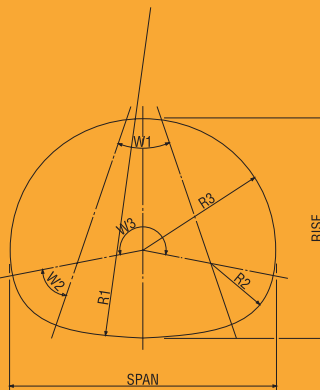
Low Profile Pipe Arch MB



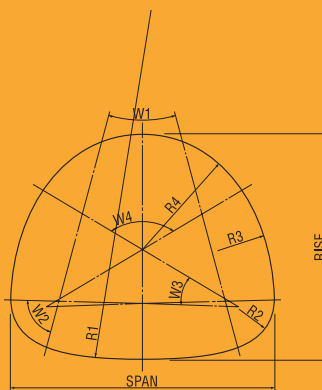
High Profile Underpass UA



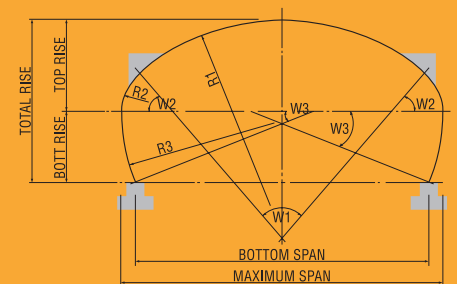
Low Profile Underpass UB



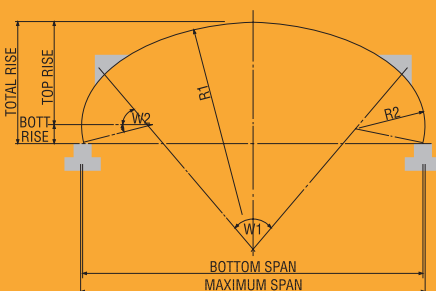
Standard Underpass UC



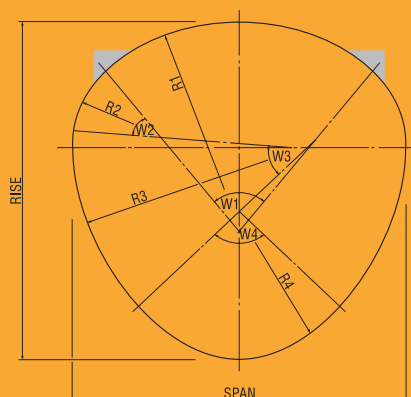
Super-Span High Profile Arch SSHA



Super-Span Low Profile Arch SSLA



Super-Span Pear SSP



Super-Span Ellipse SSE

