

TREND CEN END TERMINAL

FEATURES

The **Trend CEN End Terminal** is a steel post, energy absorbing terminal for use with w-beam safety barriers. The steel “breakaway” posts are designed using an innovative concept. The lower post, having a U-Section, is driven into the ground. The upper post, with its U-Section, slides into the lower post and is then secured using a steel tension bolt.

Benefits

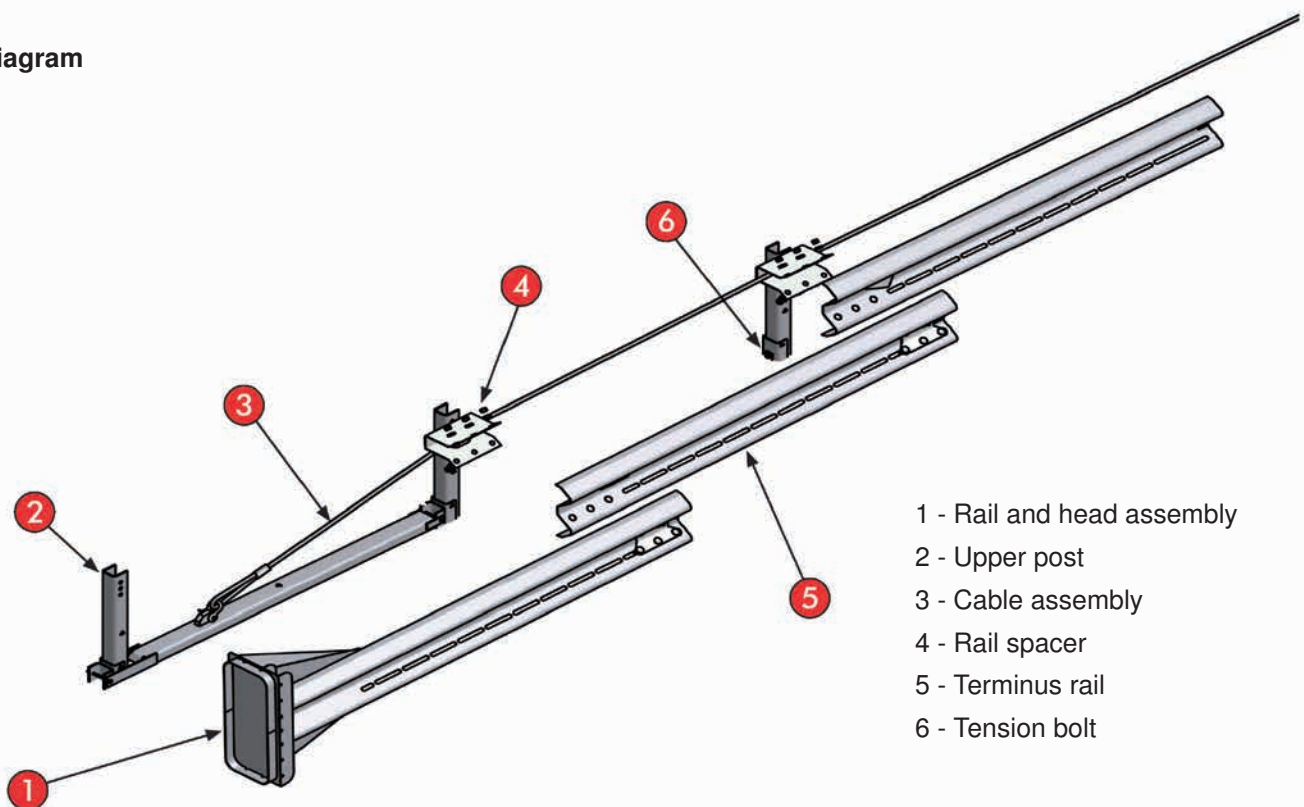
- Fully tested as a P4 terminal for 110 km/h using ENV 1317-4 criteria.
- Breakaway steel post technology.
- Easy to transport – one complete unit, weighing approximately 400 kg, can fit onto a standard pallet for transportation on small work vehicles.
- Easy to install – the **Trend CEN End Terminal** can be installed in 2 hours by a three person crew using standard safety barrier installation equipment.
- Debris field is less than 1m.
- Multiple post anchoring options.
- Fits directly onto traditional w-beam guardrail.

Specifications

Length (110 km/h system)	12 m
Weight (approximate)	400 kg
Post Spacing	2 m



Diagram



- 1 - Rail and head assembly
- 2 - Upper post
- 3 - Cable assembly
- 4 - Rail spacer
- 5 - Terminus rail
- 6 - Tension bolt